

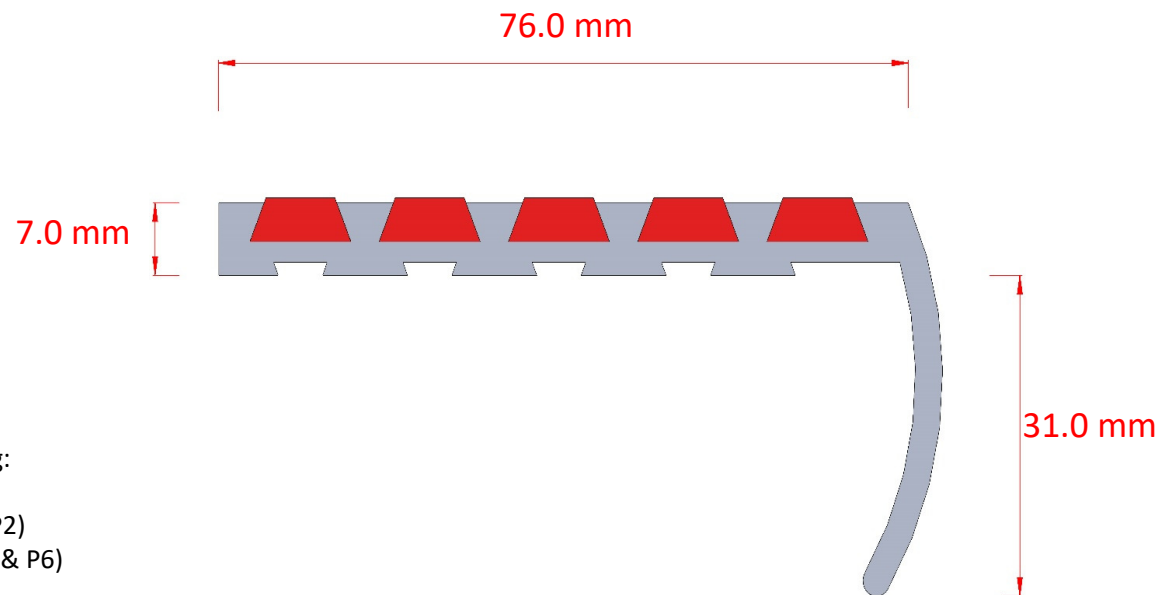
# Section 236 - Red



450 Blandford Road  
Poole  
Dorset  
United Kingdom  
BH16 5BN

General description: Metallic non-skid step nosing filled with red carborundum

MOD NSN Procurement reference:  
**2090-99-156-2156: length 3048mm (Part number: S236R3048)**



Carborundum non slip material meeting:  
BS 476-6 Fire propagation (Test P1)  
BS 476-7 Surface spread of flame (test P2)  
ISO 19702 Smoke and Toxicity (Tests P5 & P6)

# Section 236 - Red

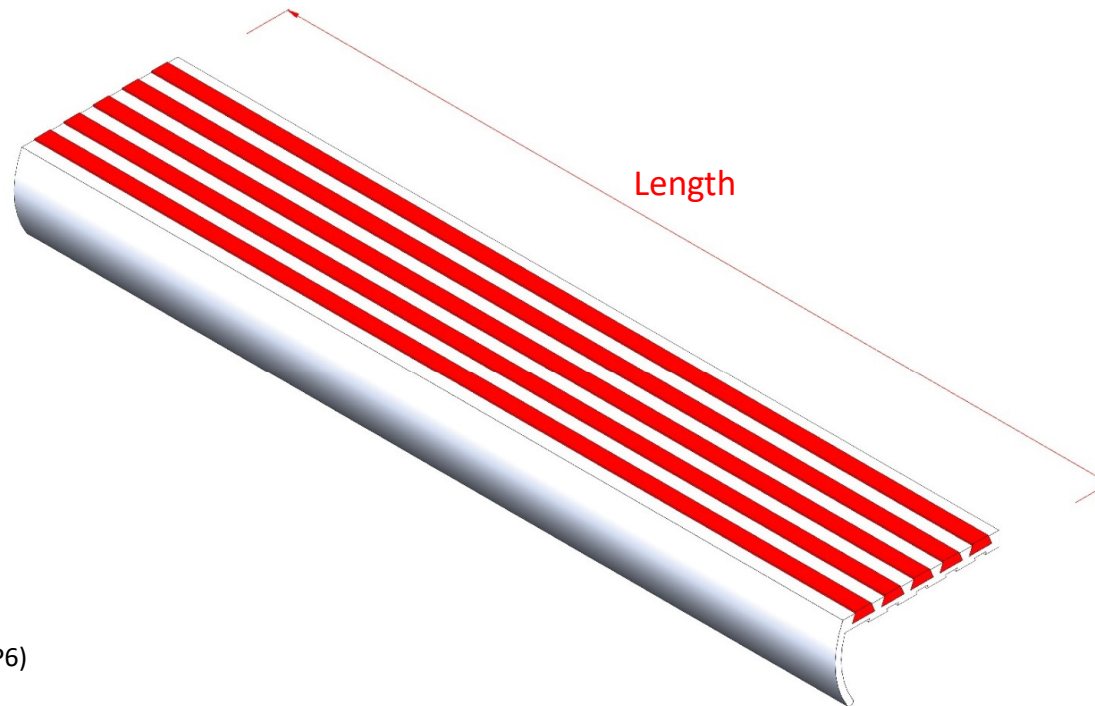


450 Blandford Road  
Poole  
Dorset  
United Kingdom  
BH16 5BN

General description: Metallic non-skid step nosing filled with red carborundum

MOD NSN Procurement reference:

**2090-99-156-2156: length 3048mm (Part number: S236R3048)**



Carborundum non slip material meeting:

BS 476-6 Fire propagation (Test P1)

BS 476-7 Surface spread of flame (test P2)

ISO 19702 Smoke and Toxicity (Tests P5 & P6)